

AEL warrmrack

Analogue Heating Element



Thermostatic Control Panel



Carson



Spencer

AEL
HEATING SOLUTIONS



Analogue

Operation

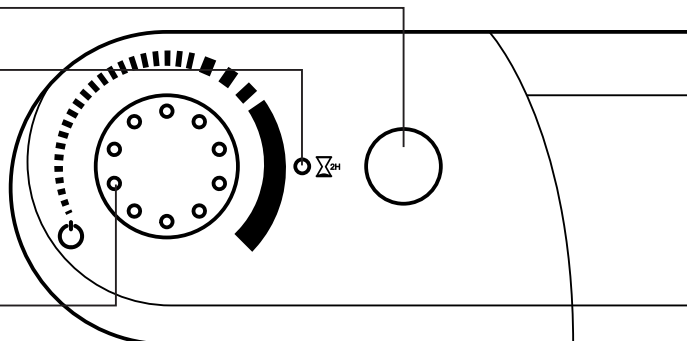
Presentation

Boost 2 hours button

Status LED

Knob:


Start (2 bips) / Stop (1 bip)
Temperature regulator



Functions

- Start / Stop using the knob.
- Boost 2H using the button.
- Pilot wire with 6 conductors according to the GIFAM standard.
- 1 status LED to indicate operating mode.
- Permanent saving of the various operating modes (only Boost 2 hours is not saved).

Operating mode

Mode	Status LED
Stop (knob on the left turned to )	LED off
Comfort mode, without heating	Green LED on
Comfort mode without heating, with signal on the pilot wire	Green LED flashing
Comfort mode, with heating	Red LED on
Boost 2 hours Σ^{2H} mode (button)	Red LED flashing

Automatic mode

If the equipment is connected to a feeder control unit or a timer via a pilot wire, it will work automatically according to the programs specified.

NOTE - *If there is no pilot wire, it will constantly work in comfort mode.*

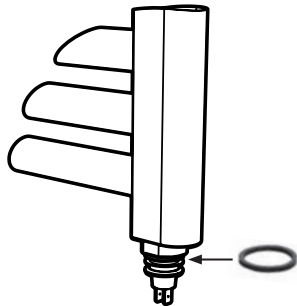
Comfort	When permanently in comfort mode, the units maintains the temperature set, for example 20 °C.
Eco	The economy mode corresponds to the comfort temperature minus 3,5 °C, in order to reduce energy consumption while maintaining the comfort level.
Anti-freeze	The anti-freeze mode makes it possible to protect the plants in a building against freezing, maintaining a constant temperature of 7 °C.

Installation

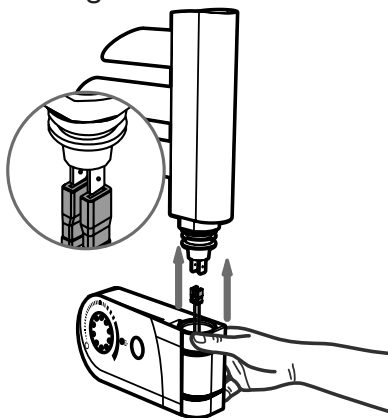
Diagrams

WARNING - The thermostat must be installed by qualified personnel.

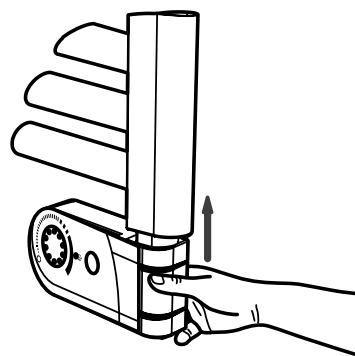
1. Switch off the mains. Check the O-Ring on the nipple of the electric heating element is correctly inserted in the groove and it has no defects and damages (otherwise replace it).



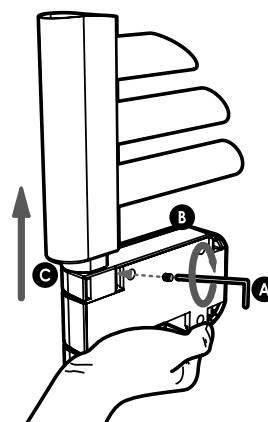
2. Loosen the hex screw on the back of the device until it can be seen through the hole in the top. Delicately remove the wires from the hole in the top and connect them to the electric heating element. Connect the wires, which are interchangeable, to the flat contacts.



3. Fit the thermostat to the connection on the electric heating element, pressing delicately until it is fully inserted; make sure the wires go all the way in and do not stick in the first part of the hole.



4. Tighten the hex screw so that the device is securely fixed to the heating element.



Note: The Spencer towel radiator can only have the analogue heating element fitted on the right hand side of the radiator.

How to uninstall the thermostat (qualified technicians only)

1. Switch off the mains.
2. Disconnect the thermostat supply cord from the socket or connector block (be careful not to leave the power supply leads uncovered).
3. Loosen the hex screw on the back of the thermostat.
4. Remove the thermostat from the heating element connection and disconnect the electric wiring.

WARNING - After the thermostat has been uninstalled it cannot be reused. Replace with a new one.




Technical

Specifications

Ambient (temperature) Operation Transportation and storage	from +7°C to +35°C from -10°C to +50°C
Electrical protection Category Pollution level	IP44 Class II 2
Power supply	230V ±10% 50Hz
Relay outlet	10A (1500W)
Regulation characteristics	PI 10min
Sensor	Type CTN class 2



The  symbol applied to the product means that it is compulsory to consign the appliance to a special waste collection centre in case of disposal, in conformity to the 2002/96/EC Directive. The appliance may also be returned to the dealer if it is being replaced. This product is not included in the ordinary domestic waste category. A correct waste disposal implies protecting the environment and limiting exploitation of natural resources.

Declaration of conformity: The manufacturer hereby declares, under own exclusive responsibility, that the product subject to this manual satisfies the essential requirements of Low Voltage Directives 2006/95/EC, CEM 2004/108/EC and RoHS 2011/65/CE.



Power Supply

Electrical Connections

- In accordance with the rules in force, the power of the heating appliance must be protected by an RCD of 30 mA and an over-current protection device, suitable to the characteristics of the connection line.
- Before using the appliance the first time, check that the voltage used corresponds to that specified on the appliance.
- This heating appliance is a class II appliance (double electrical insulation).
- Earth connection is prohibited.
- **Connection of the three wires** must take place in an electrical junction box compliant with current regulations.
- In terms of French regulations, **do not fit a plug to the cable** for connecting it to an electrical socket.
- **The pilot wire must be disconnected if not in use.**

Single-phase power supply 230 V~ ±10% 50 Hz.

- Blue/gray wire: Neutral
- Brown wire: Live
- Black wire: Pilot Wire

Preparation

for Installation

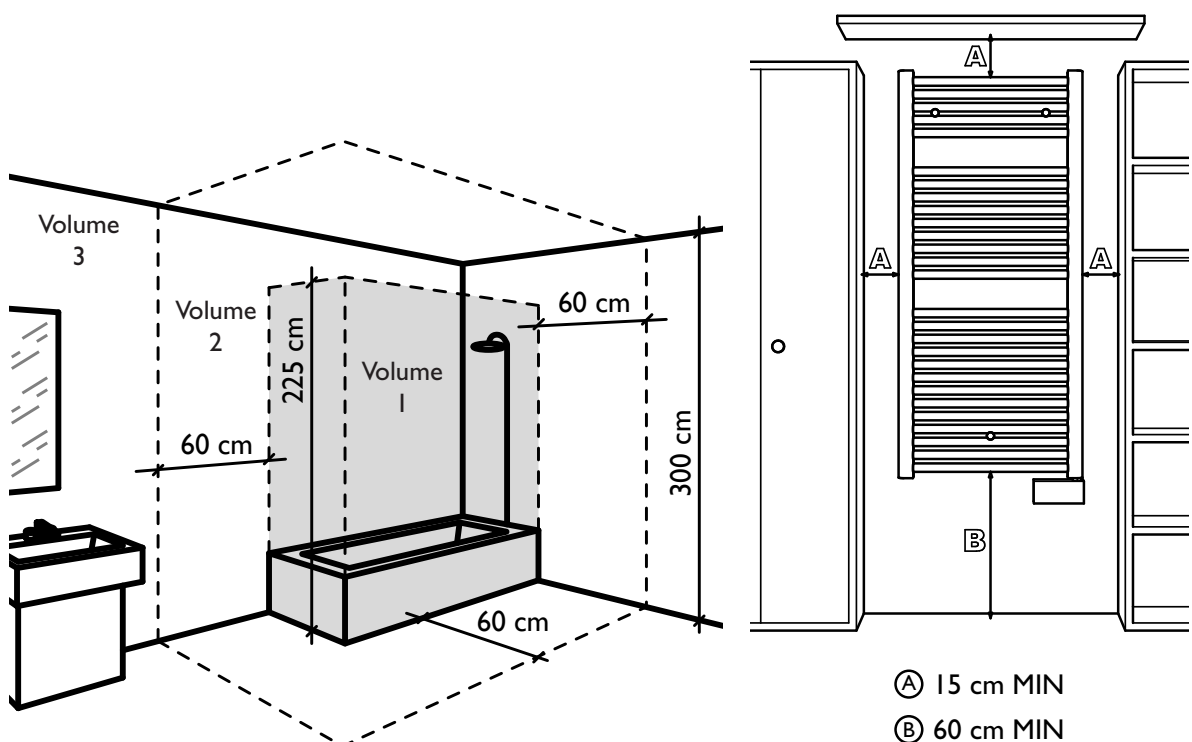
Before connecting the heating appliance, disconnect the power supply using the general switch.

This heating appliance is a class II appliance. As such, it may be installed in all rooms of the house, including in protection volumes 2 and 3 of a bathroom (IP44).

The heating appliance must be installed in such a way that the switches and other control devices cannot be touched by someone **in the bath or shower** (in compliance with standard NF C15-100).

The heating appliance must not be installed beneath a socket. The heating appliance must be installed at least 15 cm away from all obstacles (shelves, curtains, furniture, etc.).

The power circuit of this appliance must include an all-pole circuit breaking device (in compliance with standard NF C15-100).



[EN]

These instructions must be read carefully to ensure the product operates safely. We would therefore strongly recommend reading them before starting on installation and keep them for future reference. Call a qualified technician for help if you have any doubts about installing the product.



SAFETY INSTRUCTIONS



- Should damages be caused from breach of these regulations, the manufacturer's guarantee shall be invalidated.
- Do not use the appliance outdoors.
- Your appliance is intended for domestic use. It may not be used for other purposes.
- If the appliance has been dropped, has been damaged or does not function correctly, do not use it and ensure that the appliance power supply has been disconnected (fuse or switch).
- Do not dismantle the appliance. A poorly-repaired appliance can cause risks for the user. Contact your retailer for any problem.
- If the power lead has been damaged, it must be replaced by the manufacturer, after-sales service or another professional to avoid all danger.
- Warning: to avoid a risk of overheating, do not cover the unit. If you do, the rise in temperature will activate the built-in protection device.
- Children should be monitored to ensure that they do not play with the appliance.

WARNING

In order to avoid any hazard to young children, it is recommended to install the unit so that the lower radiant bar is at least 600 mm above the floor.