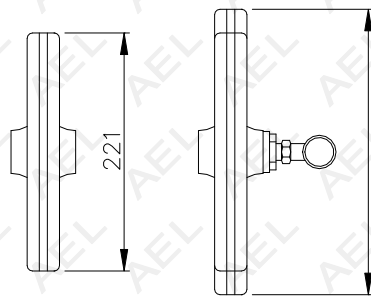
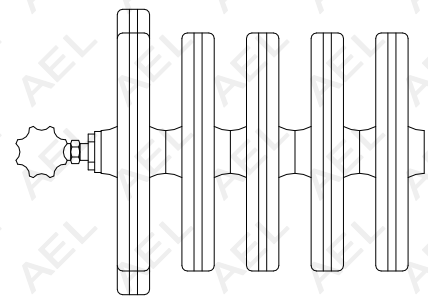
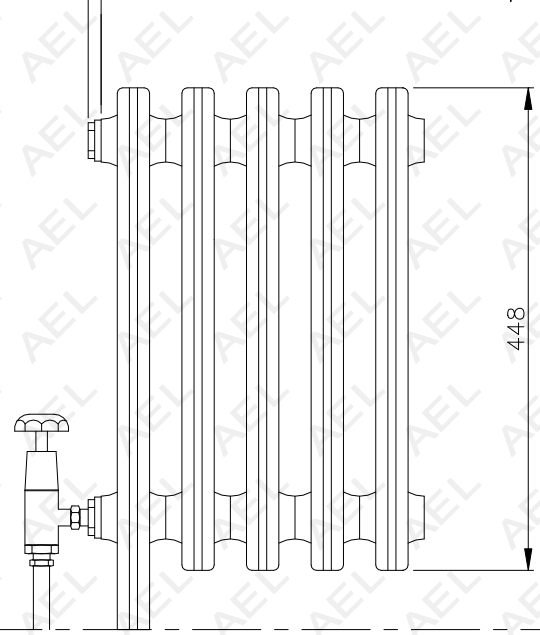


WALL

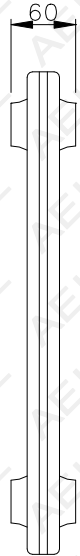


265 FOOT PROTRUSION

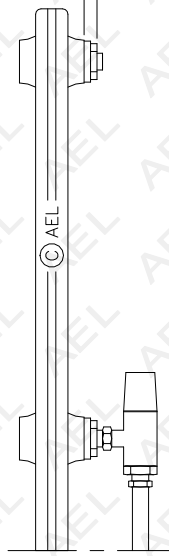
12 BUSH      LENGTH TO SUIT      No. OF SECTIONS TO SUIT      12 BUSH



448

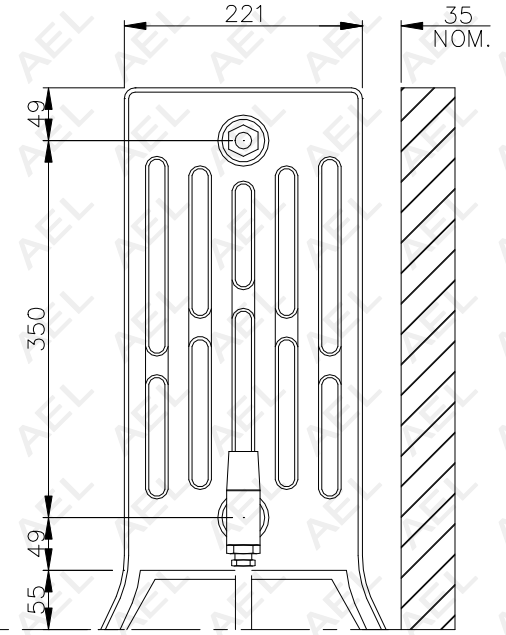


60



© AEL

448



221

35  
NOM.

49

350

49

55

FLOOR

**AEL HEATING SOLUTIONS  
VICTORIANA  
CAST IRON RADIATOR  
RV6-448**