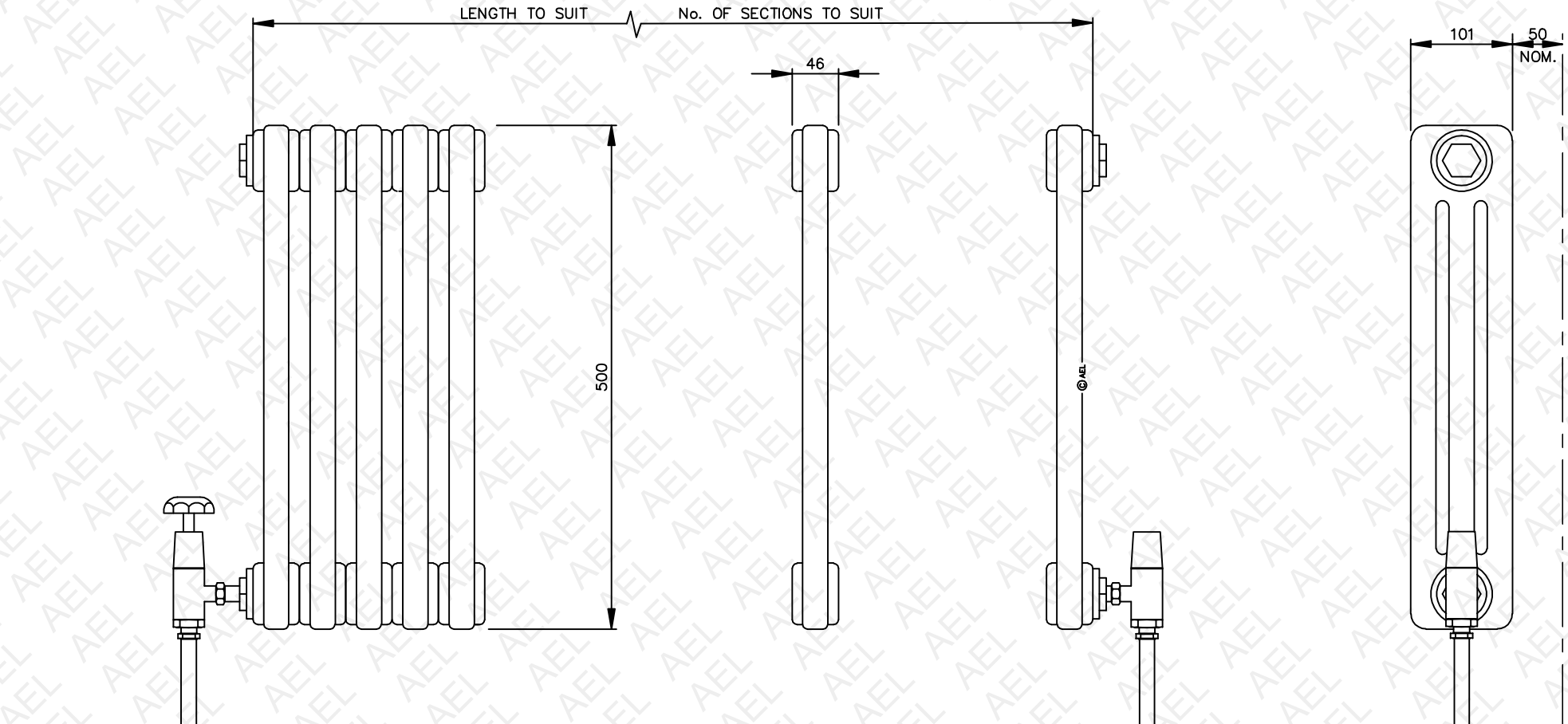


2 FEET ARE REQUIRED UP TO AND INCLUDING 23 SECTIONS FOR 3 COLUMNS DEPTH, WITH ONE EXTRA FOOT REQUIRED EVERY FURTHER 17 SECTIONS



**AEL HEATING SOLUTIONS
TUBARAD
TUBULAR STEEL RADIATOR
3050**