

AEL

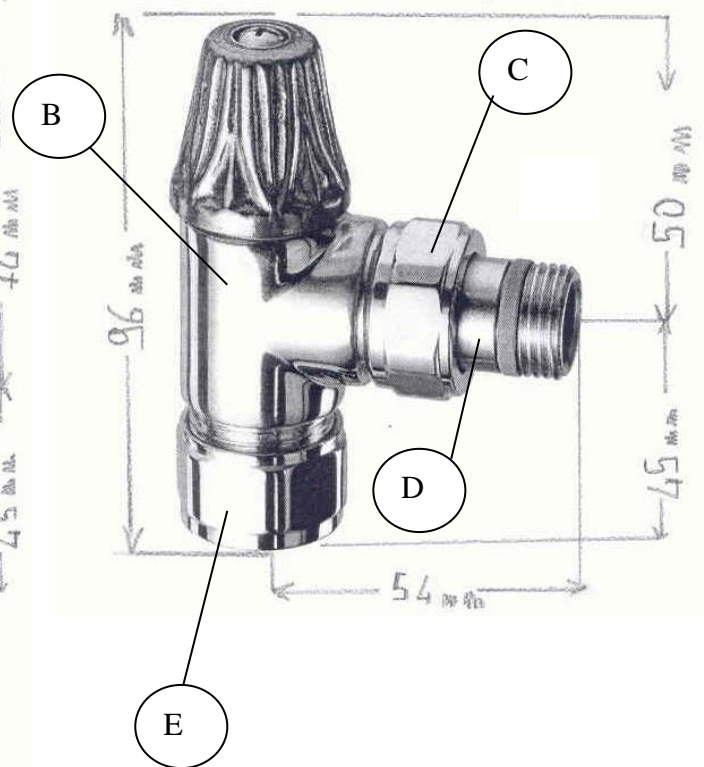
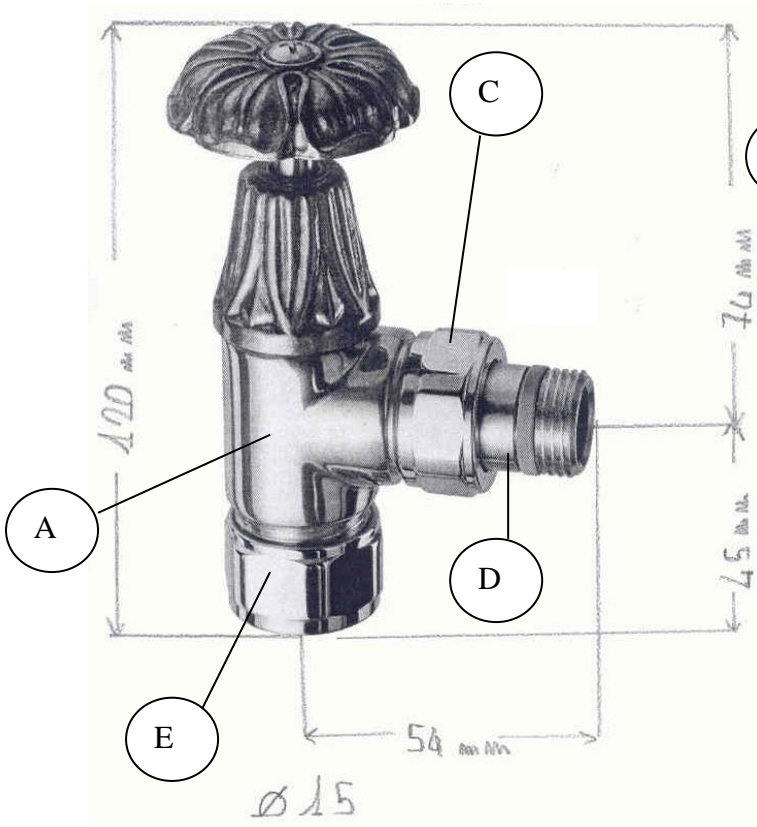
HEATING SOLUTIONS

Model MA13AB^{3/4"}X22MM

Tools & Material Required

Allen key - 12mm
Adjustable Spanner

Key	Component	Qty
A	Manual Body (flow)	1
B	Manual Body (return)	1
C	Nut	2
D	Valve Tail (3/4" BSP)	2
E	Compression Fitting (22mm)	2



Assembly Instructions

Fit valve tail (C) to flow side of radiator using 12mm Allen key, ensuring nut (D) is in place.
Fit valve tail (F) to return side of radiator using 12mm Allen key, ensuring nut (D) is in place.
Install radiator on to bracket mountings.
Loosen compression fittings (C) and fit valve bodies to 15mm pipe tails.
Tighten valve tails (C) & (F) on to valve bodies.
Tighten compression fittings (C).
After filling and venting radiator, remove cap (M) and adjust balancing control to balance radiator.
Note: over-tightening of valve tails may cause damage to surface finish of radiator connections.
Do not use grips.