

AEL

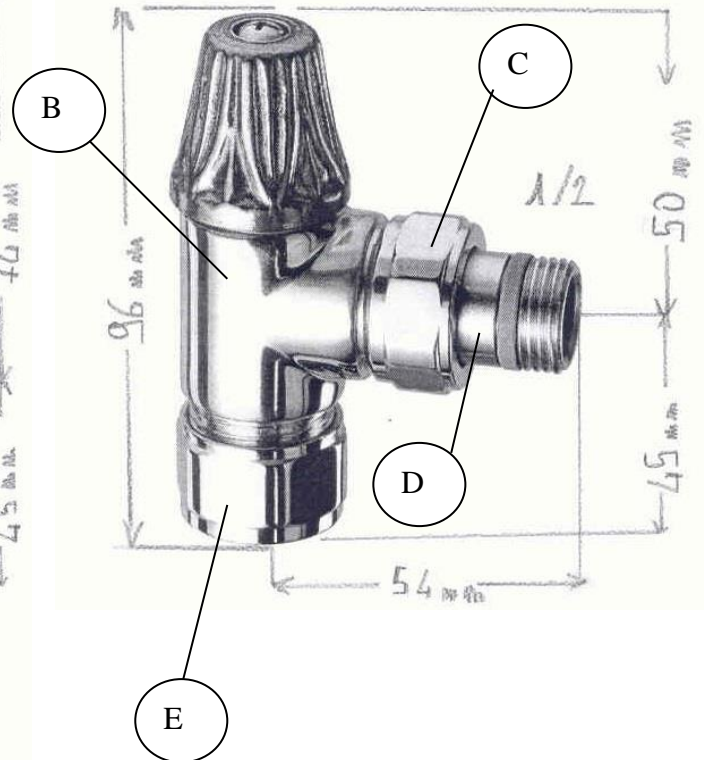
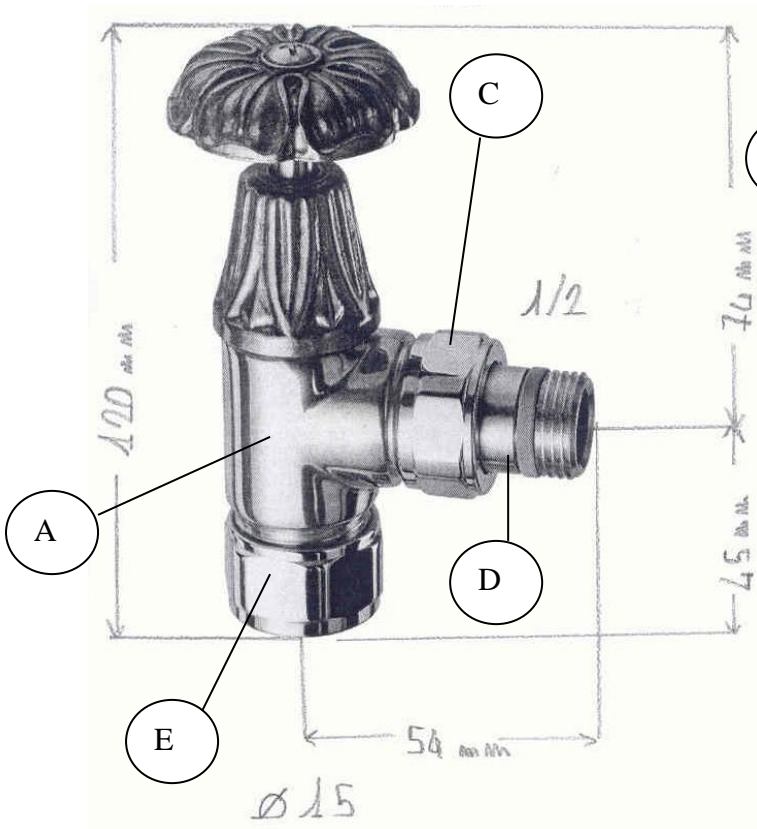
HEATING SOLUTIONS

Model MA13C

Tools & Material Required

Allen key - 12mm
Adjustable Spanner

Key	Component	Qty
A	Manual Body (flow)	1
B	Manual Body (return)	1
C	Nut	2
D	Valve Tail (1/2" BSP)	2
E	Compression Fitting (15mm)	2



Assembly Instructions

- Fit valve tail (C) to flow side of radiator using 12mm Allen key, ensuring nut (D) is in place.
 - Fit valve tail (F) to return side of radiator using 12mm Allen key, ensuring nut (D) is in place.
 - Install radiator on to bracket mountings.
 - Loosen compression fittings (C) and fit valve bodies to 15mm pipe tails.
 - Tighten valve tails (C) & (F) on to valve bodies.
 - Tighten compression fittings (C).
 - After filling and venting radiator, remove cap (M) and adjust balancing control to balance radiator.
- Note: over-tightening of valve tails may cause damage to surface finish of radiator connections.
Do not use grips.*