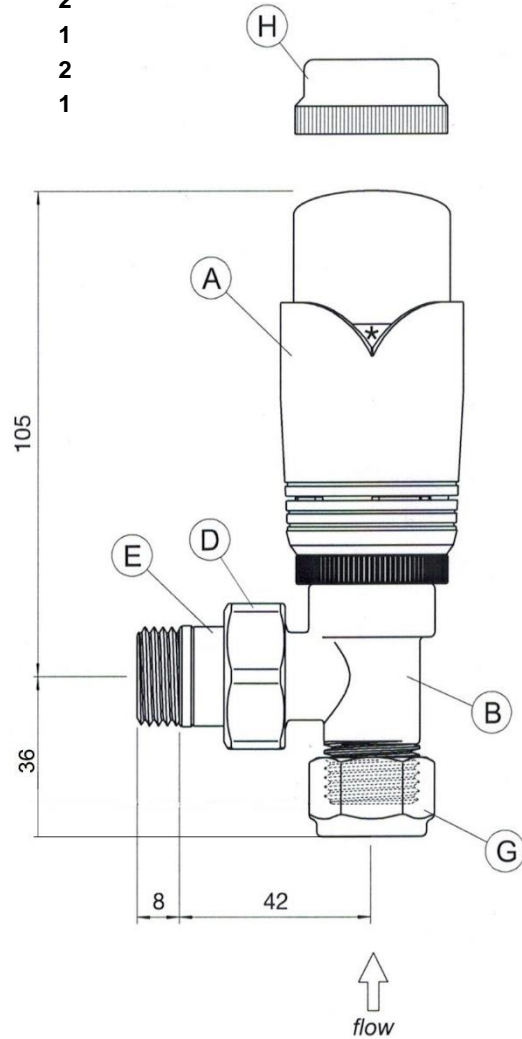
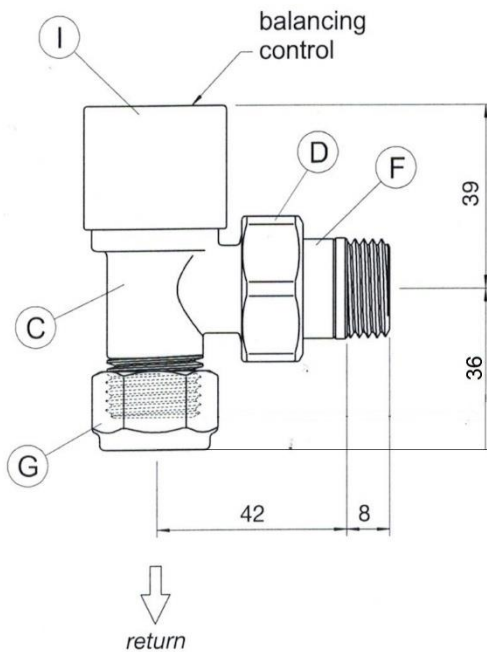


HEATING SOLUTIONS

"If the TRV is installed correctly on the flow into the radiator it can operate without noise at a system of pressure up to 6bar but has a limit of 1.5 bar if fitted on the flow out as a bi directional valve".

Tools & Material Required		Key	Component	Qty	Temperature settings
Allen key – 12mm		A	Thermostatic Head	1	* Anti-Frost Setting Min. 8°
Adjustable Spanner		B	Thermostatic Body	1	1 to 6 Apporx. Range 12 to 30
		C	Manual Body	1	°C
		D	Nut	2	
		E	Valve Tail (1/2" BSP)	1	
		G	Compressing Fitting (15mm)	2	
		H	Isolating Cap	1	



Assembly Instructions

Leave isolating cap (H) tightened to thermostatic body (B).

Fit valve tail (E) to flow side of radiator using 12mm Allen key, ensuring nut (D) is in place.

Note: over-tightening of valve tails may cause damage to surface finish of radiator connections.

Do not use grips.

Fit valve tail (F) to return side of radiator using 12mm Allen key, ensuring nut (D) is in place.

Loosen compression fittings (G) and apply valve bodies (B) & (C) to 15mm pipe tails.

Install radiator onto bracket mountings and tighten valve tails (E) & (F) onto valve bodies (B) & (C) respectively.

Tighten compression fittings (G).

Remove isolating cap (H). *Note: retain cap for use during any future maintenance to provide 100% shutoff.*

Set reading on thermostatic cap (A) to '6' and tighten cap fully onto the thermostatic body (B).

After filling and venting radiator, remove cap (I) and adjust balancing control to balance radiator.

Note: The TRV range has a lockable tamper proof head.